

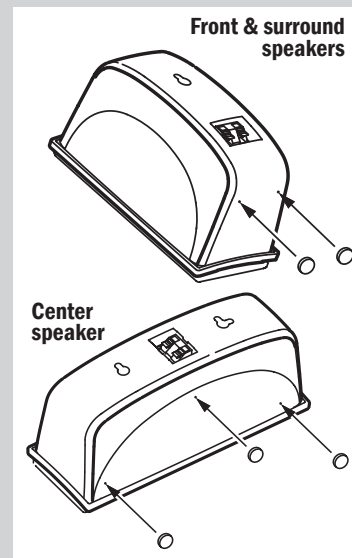
Congratulations!

The DVT-6300-H Kenwood Fineline™ Integrated Home Theater System will make enjoying movies and music at home more fun than ever. This sheet will show you how to connect your speakers to the DVD/receiver. To learn how to operate your DVD/receiver, please read and follow the instruction manual included in its box. If you're also connecting other equipment, such as a game console, TV, VCR, satellite tuner or other source component, use the DVD/receiver's manual in combination with the manuals that came with those components.

Placing Your Speakers

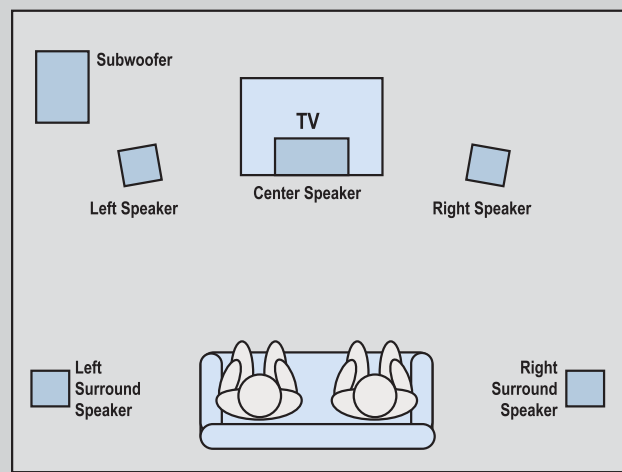
Place the speakers as shown in the diagram below. While you're setting up the speakers, keep these points in mind:

- Attach the supplied cushions to the speakers as shown in the diagram on the right:
- Since the center speaker is magnetically shielded, you can place it right on top of the TV without worrying about picture discoloration.
- If the subwoofer causes discoloration of the TV picture, move it away from the TV until the discoloration disappears.
- You can hang the speakers on the wall using heavy-duty picture hangers.
- Placing the subwoofer next to a wall yields more deep bass output than placing it away from a wall. Placing the subwoofer in a corner yields the deepest bass output overall. Place the subwoofer far enough away from walls and furniture so that its side-firing woofer isn't blocked.



The subwoofer will sound good just about anywhere in the room

Place the center speaker above or below the center of your TV. Angle it down or up to aim it directly at the listeners.



Place the left and right speakers on each side of your TV. Angling them towards the listeners improves the stereo effect.

Place the surround speakers as high as possible, directly to the sides of the listening area, pointing at the listeners

Connecting Your Speakers

Important: Do not plug the receiver's power cord into an AC outlet until you have properly connected all of the speakers.

Connect the speakers as shown in the large diagram to the right.

To make connecting the speakers easier, we have color-coded the speakers, speaker wire and terminals on the receiver, and pre-stripped the insulation from the ends of the wires.

Connect the colored speaker wires to the correspondingly-colored terminals on the speakers and receiver.

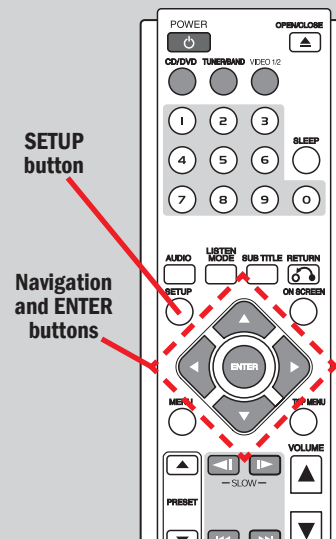
Important: Insert the colored leads into the red terminals; insert the black leads into the black terminals.

DO NOT PUSH THE WIRES TOO FAR INTO THE TERMINALS AS THIS WILL NOT ALLOW THE WIRE TO MAKE PROPER CONTACT.

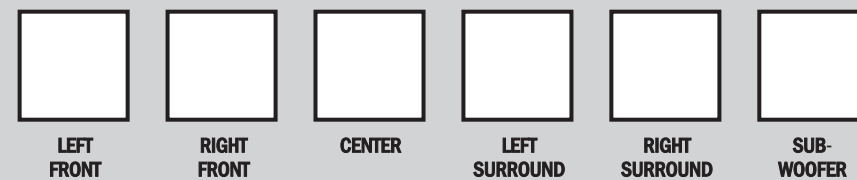
Balancing the Speakers

Your receiver comes with the speaker volume settings pre-balanced. If you have positioned the speakers as shown in the diagram your system will create a spacious surround sound environment right out of the box with no further adjustment required.

If your room is arranged differently than shown in the diagram, or if you simply want to fine-tune your system's performance, you can easily change the volumes of the individual speakers to get a better balance. (You will be using the receiver's remote control — see illustration on right):



1. Connect the receiver to your TV. (See page 11 of the DVT-6300 Instruction Manual for details.) Select the proper input on your TV so the receiver's On-Screen Display (OSD) is visible.
2. Press the SETUP button once. The OSD will appear.
3. Press the V navigation button 8 times so that "5.1 Speaker Setup" is highlighted.
4. Press the > navigation button once. "Front L" will be highlighted on the OSD.
5. Press the V navigation button once 3 times. "Test" will be highlighted on the OSD.
6. Press the ENTER button. Test noise will circulate from speaker to speaker.
7. Carefully listen to the volume level of the noise through each speaker, and note any speakers that are noticeably louder or quieter than the others.
8. Press the ^ navigation button 3 times. The test noise will stop and the active speaker will be highlighted on the OSD.
9. Press the > navigation button until the speaker you want to adjust is highlighted on the OSD.
10. Press the V navigation button once. "Volume" will be highlighted on the OSD.
11. Use the < and > navigation buttons to increase or decrease the speaker's volume. Repeat steps 9 - 11 for each speaker you want to adjust.
12. Do not be concerned with the volume level readout on the display while you're adjusting the speakers — this is for reference purposes only. However, once you have balanced all the speakers you should write each speaker's volume setting down here for reference:



13. Press the SETUP button once more to exit the Setup mode.

Setting the Speaker Distances

This last step adjusts the timing of all the speakers so that their sound arrives at the listening location at the proper time.

1. Measure the distance from each speaker to your seat. Write the distances down.
2. Press the SETUP button once. The OSD will appear.
3. Press the V navigation button 8 times so that "5.1 Speaker Setup" is highlighted.
4. Press the > navigation button once. "Front L" will be highlighted on the OSD.
5. Press the V navigation button twice. "Distance" will be highlighted on the OSD.
6. Press the < and > navigation buttons to change the distance until it matches the distance from the front left speaker to your listening position.
7. Press the ^ navigation button twice. "Front L" will be highlighted on the OSD.
8. Press the > navigation button once. "Front R" will be highlighted on the OSD.
9. Repeat steps 5 - 7 for the rest of the system's speakers. (Note: The subwoofer's distance is not adjustable.)
10. Press the SETUP button once more to exit the setup mode.

Speaker Connections

